



MG

Pressure gauge for Gas

MG

Pressure gauge for gas

Contents

Description.....	2
Features.....	2
Technical specifications	3
Ordering information	5

Description

Pressure gauge MG are robust instrument suitable for fast measurement on site. Different dimensions and materials allows to find the proper solution for every installation. A button valve type ME can be installed to prevent damages due to pressure surges.

Features

These pressure gauges are available with display dimension Ø63, Ø80 and Ø100. The connection is radial with male thread ¼" for Ø63, 3/8" for Ø80 and ½" for Ø100.

Manometers are capsule types for pressure till 600 mbar, for higher pressure they have a Bourdon tube.

They are designed in compliance with EN 837-1 and 3.

The accuracy is $\pm 1,6\%$ of full scale.

They are suitable for ambient temperature -20/+60°C. If temperature of process medium is higher, proper devices shall be used to cool it before reaching the instrument (e.g. dissipators, capillaries).

Continuous operating pressure can be max 75% of full scale.

ME valve is a push-button valve which applies pressure to gauge only when it is pushed, in normal condition manometer is relieved of pressure. The installation of this valve extends life of pressure gauge and reduces possibilities of wrong reading (e.g. in case of dirty the pressure gauge can block in a position different from actual pressure).

Suitable for air and non-aggressive gaseous fuels (families 1-2-3 EN437). Special versions are available for use with aggressive gases (e.g. biogas).

This figure shows an example of typical installation in combination with other Elektrogas devices.

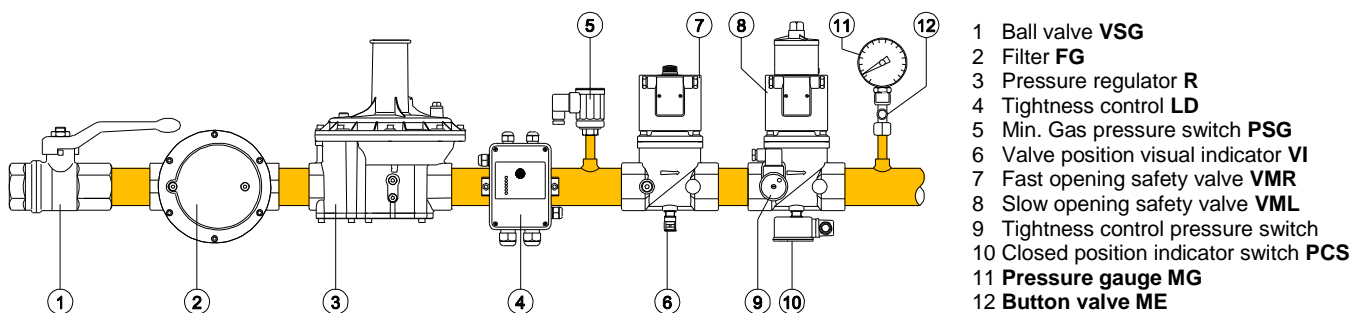


Fig. 1



WARNING

This device shall be installed in accordance with the laws in force.

Technical specifications

Tab. 1

MG pressure gauges			
Display dimension and connection (male thread)	Ø63 G1/4	Ø80 G3/8	Ø100 G1/2
Accuracy	± 1,6%		
Ambient and media temperature	-20°C / +60°C		
Housing	Brass, steel and transparent glass		
Enclosure protection	IP32 (EN60529)		
Pressure ranges	0 - 25 mbar 0 - 40 mbar 0 - 60 mbar 0 - 100 mbar 0 - 160 mbar 0 - 250 mbar 0 - 400 mbar 0 - 600 mbar		0 - 1 bar 0 - 1.6 bar 0 - 2.5 bar 0 - 4 bar 0 - 6 bar 0 - 10 bar
Continuous operating pressure (15 minutes and more)	75% of full scale		
Version and media type	Standard version for air and gaseous fuels in accordance with EN437 (fam. 1-2-3)		Stainless steel version for chemically aggressive gaseous fuels (e.g. Biogas)
Materials in contact with media	Brass Bronze		AISI 304 AISI 316

Tab. 2

ME button valve			
Connection (female thread)	G1/4	G3/8	G1/2
Ambient and media temperature	-20°C / +60°C		
Maximum operating pressure	6 bar		
Materials in contact with media	Brass and NBR rubber Suitable only for air and gaseous fuels in accordance with EN437 (fam. 1-2-3)		

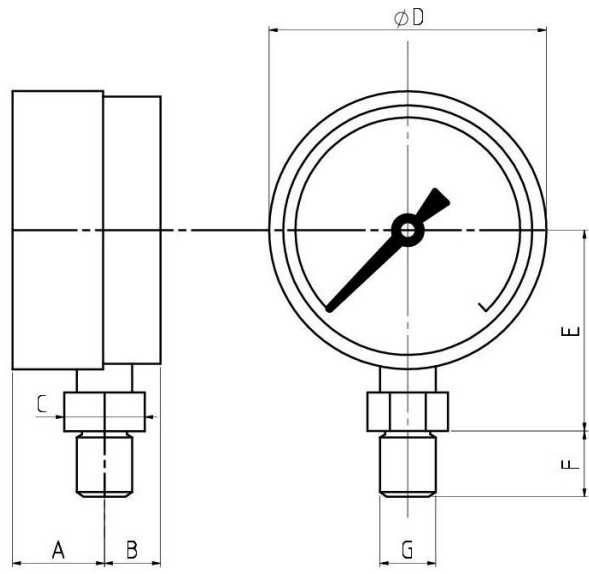


Fig. 2

Tab. 3

Type	Display Size	Dimension of standard version (mm)						G	Weight Kg
		A	B	C End spanner wrench	D	E	F		
MG7	63	17	17	17	64	39	14	G1/4	0.20
MG8	80	25	15	20	81	58	20	G3/8	0.35
MG9	100	27	15	24	101	60	22	G1/2	0.45

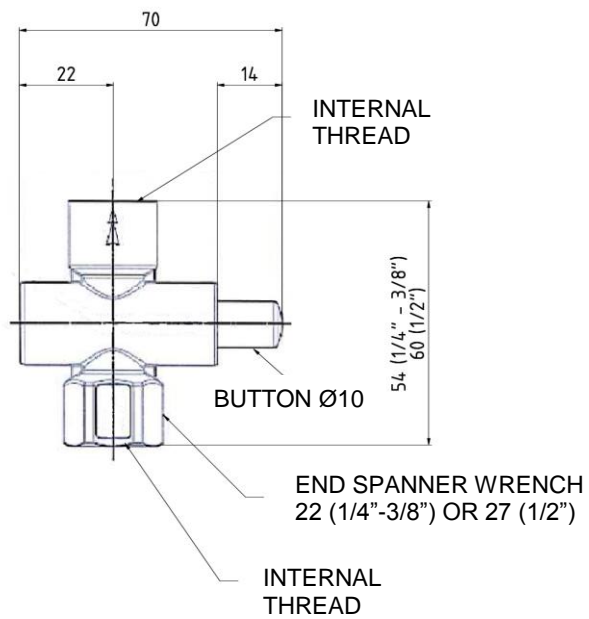


Fig. 3

Ordering information

MG pressure gauge and ME valve has to be ordered separately.
The operative pressure of the instrument shall be between 25% and 75% of full scale. The full scale shall be approximately the double of the operative pressure.

Tab. 4

	MG	9	E
Product type	MG pressure gauge		
Display dimension	7 Ø63 1/4" 8 Ø80 3/8" 9 Ø100 1/2"		
Pressure range	A 0-25 mbar I 0-1 bar B 0-40 mbar L 0-1,6 bar C 0-60 mbar M 0-2,5 bar D 0-100 mbar N 0-4 bar E 0-160 mbar P 0-6 bar F 0-250 mbar Q 0-10 bar (not with ME valve) G 0-400 mbar H 0-600 mbar		
Version	_ Standard J Stainless steel version		

Tab. 5

	ME	15
Product type	ME button valve	
Size	08 1/4" 10 3/8" 15 1/2"	

The information in this document contains general descriptions of technical options available and based on current specifications.

The company reserves the right to make changes in specifications and models as design improvements are introduced, without prior notice.

Elektrogas is a brand name of:

Elettromeccanica Delta S.p.A.
Via Trieste 132
31030 Arcade (TV) – ITALY tel
+39 0422 874068
fax +39 0422 874048

www.delta-elektrogas.com
info@delta-elektrogas.com

Copyright © 2018
All rights reserved